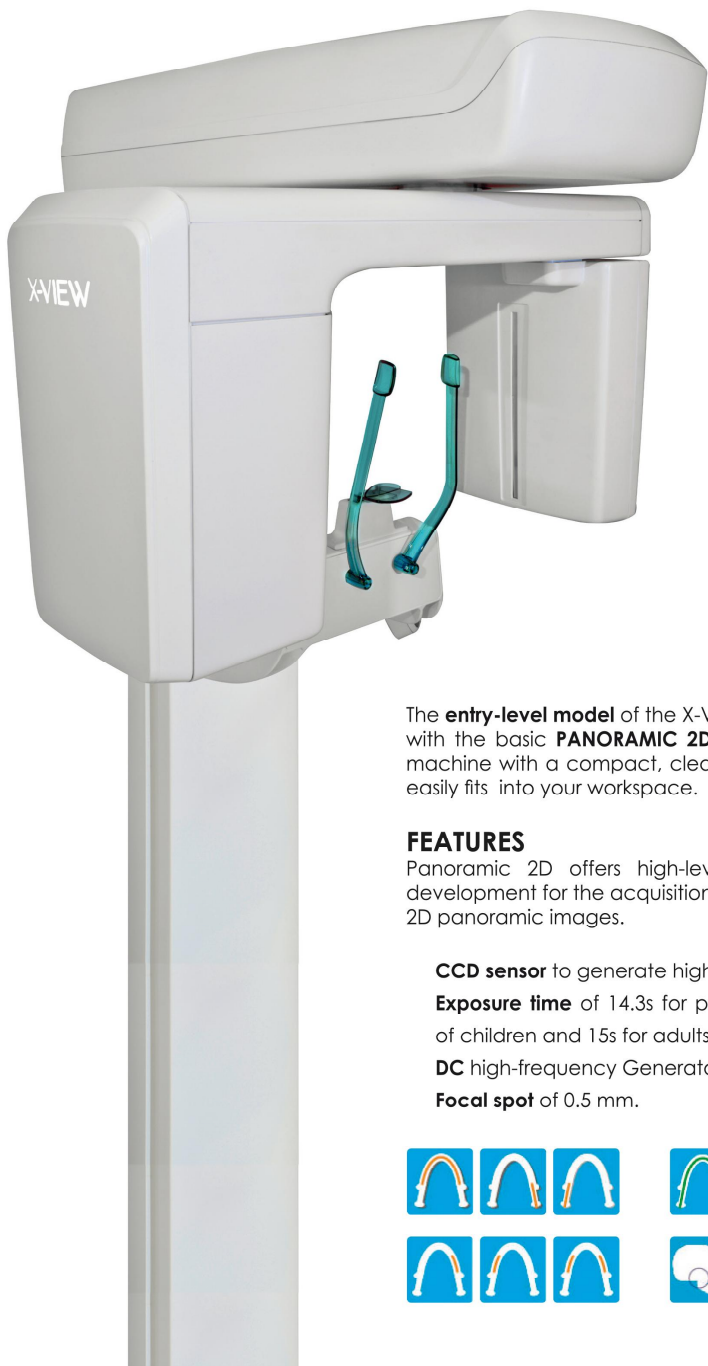


X-VIEW 2D PAN



2D PROGRAMS

- Adult panoramic
- Child panoramic
- Bitewing
- Sectoral panoramic
- Paranasal sinuses
- TMJ
- Orthopantomax
- Reduced radiation panoramic

The **entry-level model** of the X-VIEW family begins with the basic **PANORAMIC 2D**, an evolutionary machine with a compact, clean-cut design that easily fits into your workspace.

FEATURES

Panoramic 2D offers high-level technological development for the acquisition of **15 x 30 cm** 2D panoramic images.

CCD sensor to generate high-quality images.

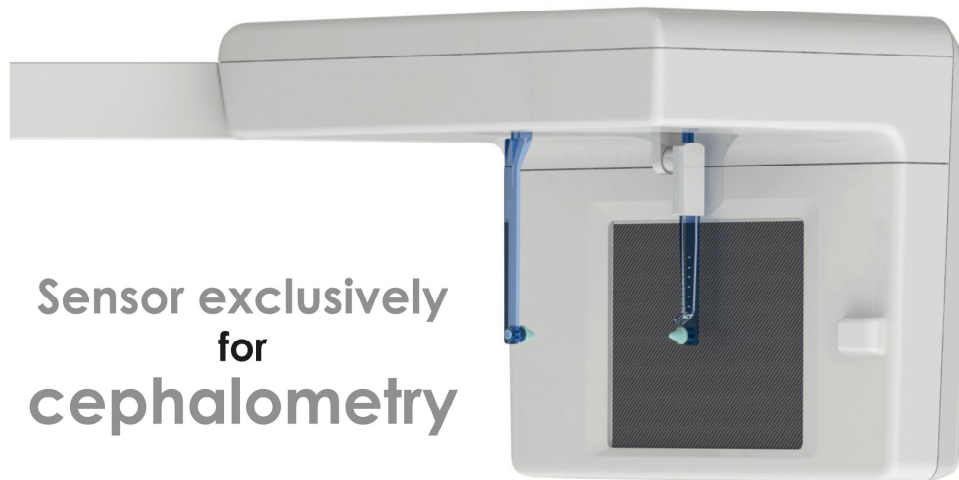
Exposure time of 14.3s for panoramic images of children and 15s for adults.

DC high-frequency Generator.

Focal spot of 0.5 mm.



X-VIEW 2D PAN CEPH

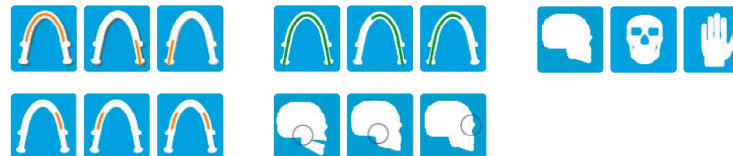


Sensor exclusively for cephalometry

In addition to the features of the basic entry-level X-VIEW, this model is equipped with an arm for cephalometry and the exclusive flat panel phosphor plate CR 2430 sensor with **incorporated image reader** that make it possible to obtain 24 x 30 cm high-definition cephalometric images in less than 2 seconds, using the innovative **single-shot** technology.

Reduction of exposure time

While other machines use a scanning system with an exposure time of 15 seconds, **XView PANORAMIC 2D-CEPH**, thanks to the exclusive **Single Shot** system, is able to significantly reduce exposure time without negatively affecting the quality of the image (taking a single shot in less than 2s). The single shot system prevents the complications deriving from movement for obtaining images by scanning.



X-VIEW

cone beam

TECHNICAL
INFORMATION

GENERAL TECHNICAL INFORMATION

X-RAY GENERATOR	
Generator type	High frequency DC
Focal spot	0,5 mm
Total filtration	> 2,5 mm Aleq @ 70 kV
Leakage radiation	According to IEC 60601-2-63: <0,5 mGy/h @85 kV 10 mA 15s. duty cycle 1/8
Anodic voltage	61 ÷ 85 kV, step 3 kV
Anodic current	4 ÷ 10mA 9 steps
Power requirement	230V, 10A, monofase, (50/60Hz)
GENERALE	
Peso	95 Kg /135 Kg
Dimensioni	2290mm x 910mm x1070mm
Dimensioni con Ceph	2290mm x 1750mm x 1070mm

X-VIEW 3D PAN

PANORAMIC MODE	
Sensor type	FLAT PANEL with CMOS technology
Sensor Area	13 x 13 cm
Exposure time	14,3 / 15,0 sec
3D MODE	
Sensor type	FLAT PANEL with CMOS technology
Field of view	8,5cm x 8,5cm (height x diameter)
Detector pixel size	100µm (200µm in binning 2x2)
Voxel size	160 µm
Tube head rotation	230°
Dynamic range	14 bit gray level (max 16.384)
Scan tim	15sec
3D reconstruction time	<10sec

X-VIEW 2D PAN

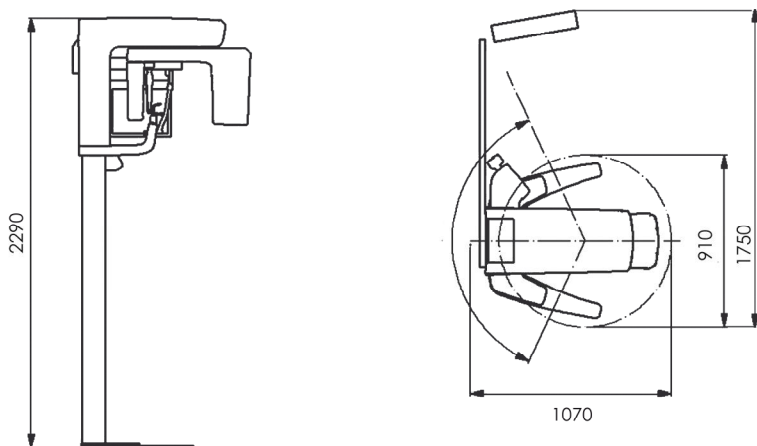
SENSOR 2D PANORAMIC	
Sensor Type PAN	CCD, with TDI functionality
Height	15 cm
Image format	15 cm x 30 cm
Exposure time	14,3/15,0 sec (Child/Adult, Standard PAN)
Dynamic range	14 Bit

X-VIEW 3D PAN CEPH

CEPHALOMETRIC IMAGING	
Sensor Type	FLAT PANEL phosphor plate with direct on- board image acquisition and transmission (no need to remove the phosphor plate)
Image Format	24cm x 30cm maximum
Exposure type	Single shot
Acquisition time	2 sec
Acquisition time	2 mAs - 30 mAs (0,2 - 3 s)

X-VIEW 2D PAN CEPH

CEPHALOMETRIC IMAGING	
Sensor Type	FLAT PANEL phosphor plate with direct on- board image acquisition and transmission (no need to remove the phosphor plate)
Image Format	24cm x 30cm maximum
Exposure type	Single shot
Acquisition time	2 sec
Acquisition time	2 mAs - 30 mAs (0,2 - 3 s)



trident

ITALY | Assago (MI) | info@trident-dental.com | www.trident-dental.com